

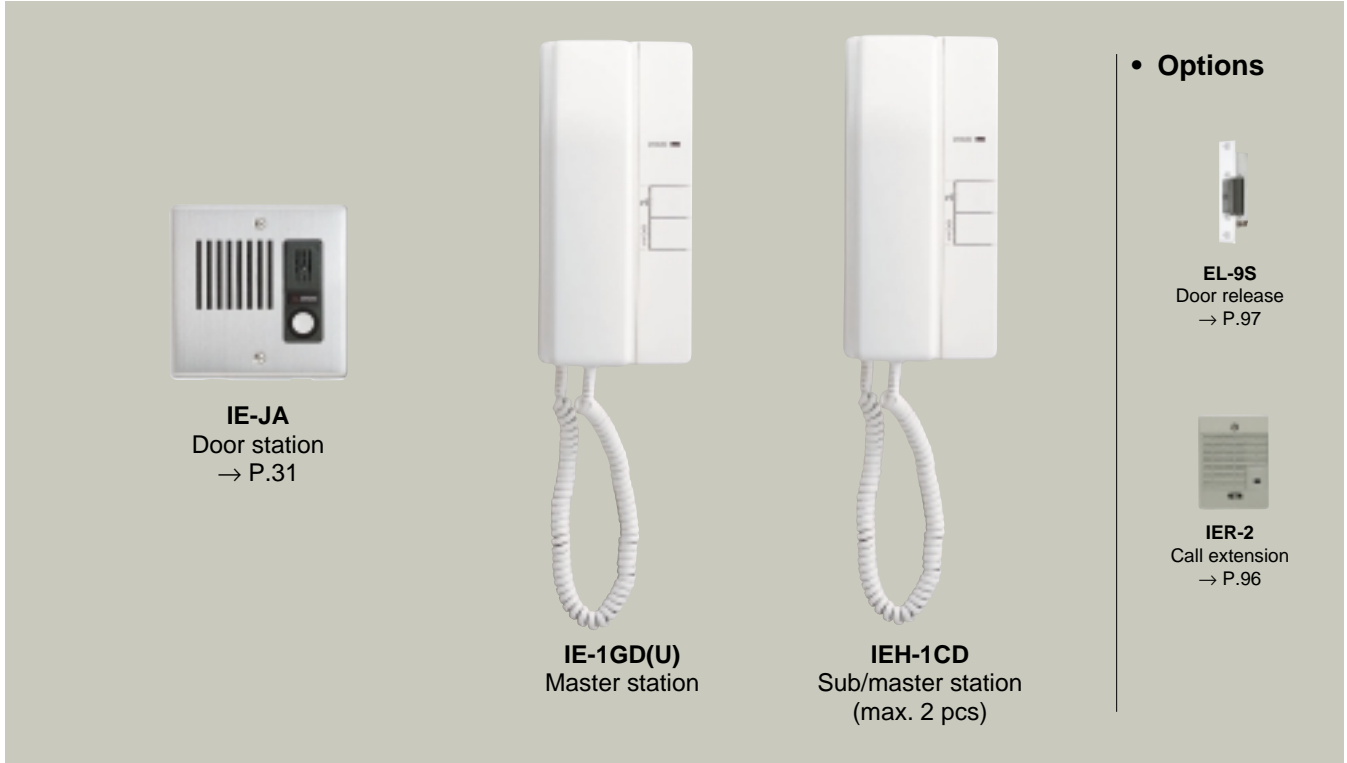
DOOR
1

ROOM
3

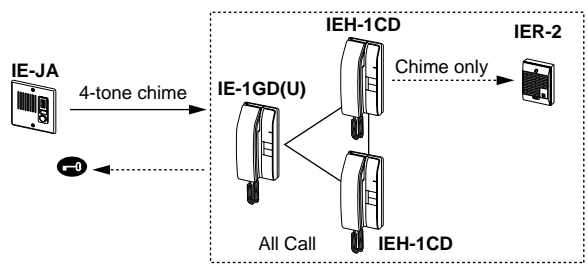
IE-1GD(U)



- 3-station chime tone intercom with one door
- Door release button
- All call type room calling
- Chime tone cutout at sub station
- AC or DC power source

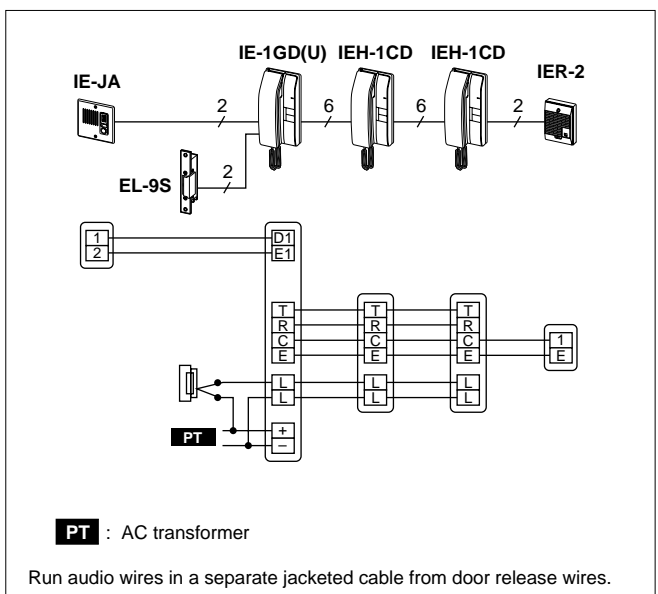
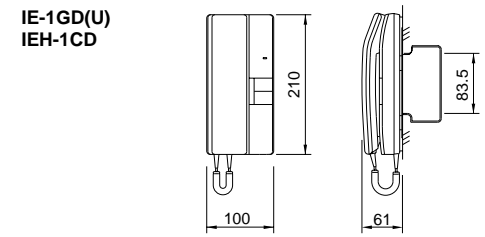


Communication network & wiring



System components

- IE-1GD(U):** Master station
- IEH-1CD:** Sub station (max. 2 pcs)
- IE-JA:** Door station (any IE/IF series)
- Power supply:** 12~24V DC power supply or 12~16V AC transformer



Specifications (IE-1GD(U))

Power source	12~16V AC, 200mA. 12~24V DC, 200mA.	
Power supply	AC transformer 12~16V, 550mA (for both IE & EL-9S), PS-12A, PS-12B.	
Communication	Door calls in w/4-tone chime to all stations. Chime can be cut out at sub. Pick up on any station to reply. Press CALL to call the rest stations with pretone & voice.	
Door release	Contact rating: 24V AC/DC, 500mA	
Wiring	2 parallel wires, non-polarized to door. 6 wires in loop, rooms	
Distance	0.65mmø	1.0mmø
• IE-1GD(U) to door	150m	360m
• Between rooms	75m	190m