

DHU12407 (PFM140)

Pinhole Pickup



Features

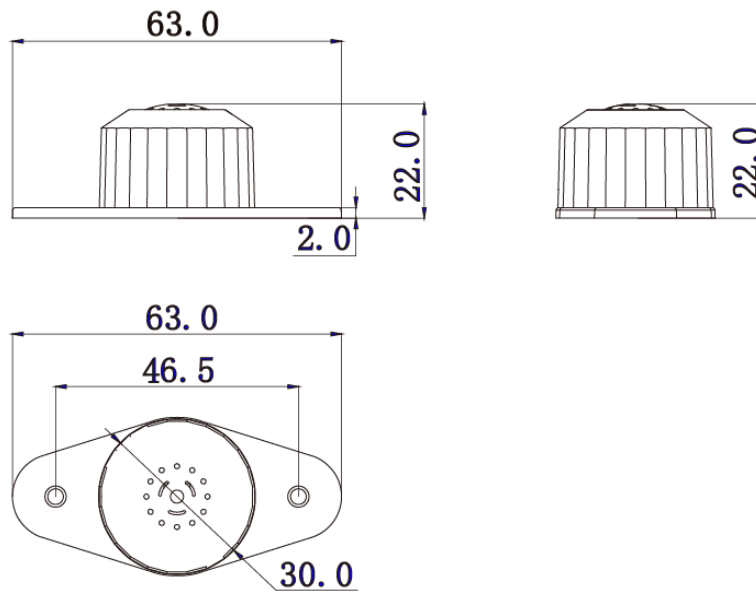
- Omni-directional condenser microphone, high fidelity;
- 30KV Air contact ESD, built-in Lightning Protection, power supply polarity reversal protection and electrostatic protection;
- Pinhole design, hidden installation; match with cameras or storage devices which have audio function!

Specifications

Model	DH-PFM140
Properties	
Scope	5-40m ²
Sensitivity	-40dB(-45~-20dB adjustable)
Frequency response	20Hz~20kHz
Directional characteristic	Omni-directional
SNR	70dB(1m 40dB sound source SPL)
Dynamic range	104dB(1KHz at Max dB SPL)
Max. sustainable sound pressure	120dB SPL(1KHz, THD 1%)
Output impedance	600Ω(non-equilibrium)
Output signal amplitude	2.5Vpp/-25dB
Working voltage	DC 12V(9~15V)
Working current	60mA(50~100mA)
Working temperature	-30℃~+70℃
Color	White
Outer shell	PC
Dimension	63mmx30mmx22mm
Weight	34g
Carried standard	CE/FCC

DHU12407 (PFM140)

Dimensions (mm)



*Design and specifications are subject to change without notice.

© 2016 Dahua Technology Co., Ltd.

