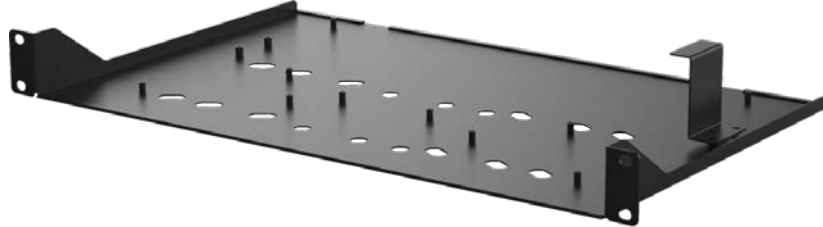


DHU12409 (PFH101)

Rack Mount Tray (Pack of 5)



Features

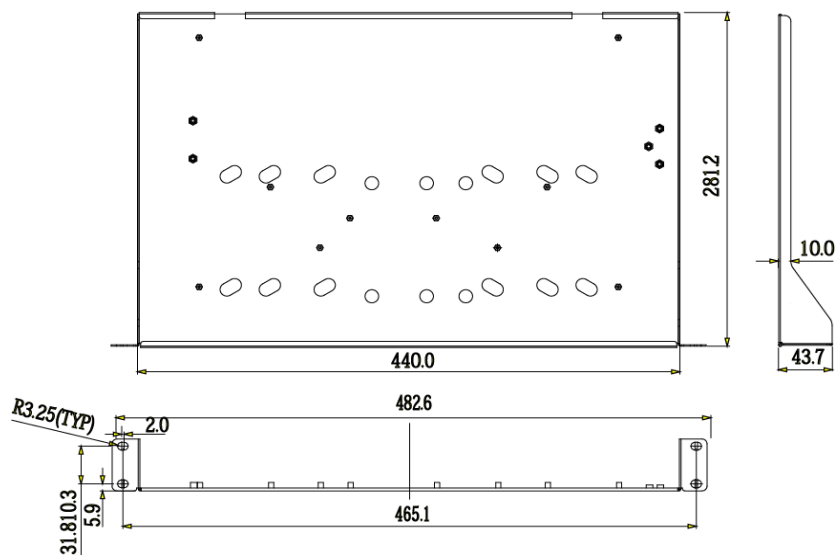
- Material: SPCC
- High Compatibility for 1U/ Mini 1U/Compact 1U Storage Device

Specifications

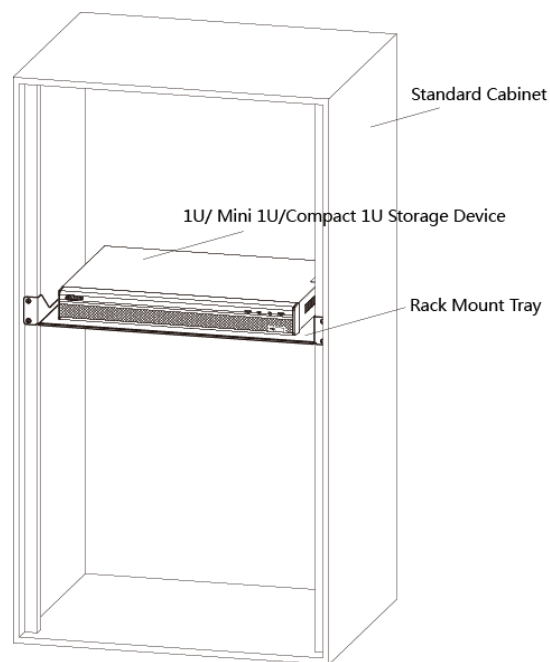
Model	PFH101
General	
Material	SPCC
Dimension (L x W)	482.6mm x 281.2mm x 43.7mm
Operating Temperature	-40°C~60°C
Humidity	0~90% RH
Load Bearing	5.0Kg
Weight	1.4Kg(single)
Color	Black
Applicable Model	1U/ Mini 1U/Compact 1U Storage Device

DHU12409 (PFH101)

Dimensions (mm)



Application



*Design and specifications are subject to change without notice.

© 2016 Dahua Technology Co., Ltd.

