

**DHU13104 (HAC-HDBW2221E)**  
**DHU13105 (HAC-HDBW2221E-3.6MM)**

**2.1MP 1080P Vandal Resistant WDR IR HDCVI Mini Dome Camera**



**Features**

- 1/2.7" 2.1Megapixel CMOS
- 25/30fps@1080P, 25/30/50/60fps@720P
- High speed, long distance real-time transmission
- HD and SD dual-output
- OSD Menu, control over coaxial cable
- WDR(120dB), Day/Night(ICR), AWB, AGC, BLC, 3DNR
- **DHU13104:** 2.8 mm fixed lens
- **DHU13105:** 3.6mm fixed lens
- Max. IR Distance 30m, Smart IR
- IP67, IK10, DC12V

# DHU13104 (HAC-HDBW2221E)

# DHU13105 (HAC-HDBW2221E-3.6MM)

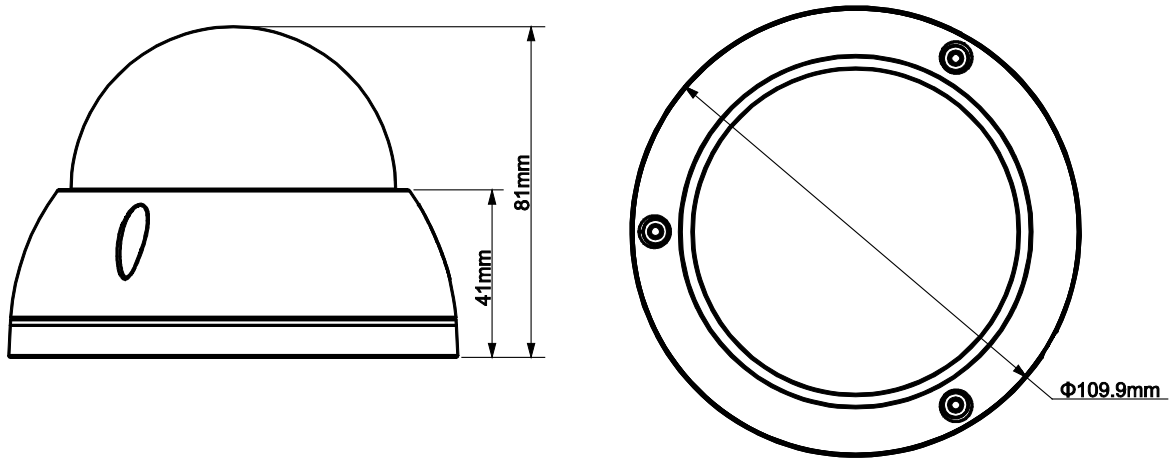


## Technical Specifications

Model	HAC-HDBW2221E	HAC-HDBW2221E-3.6MM
<b>Camera</b>		
Image Sensor	1/2.7" 2.1Megapixel CMOS	
Effective Pixels	1928(H)×1088(V)	
Electronic Shutter	1/3s~1/300,000s	
Video Frame Rate	25/30/50/60fps@720P; 25/30fps@1080P	
Synchronization	Internal	
Mini. Illumination	0.03Lux/F2.0, 0Lux IR on	
Video Output	1-channel BNC HDCVI high definition video output & CVBS standard definition video output	
<b>Camera Features</b>		
Max. IR LEDs Length	30m, Smart IR	
Day/Night	Auto(ICR) / Color / B/W	
Backlight Compensation	120dB True WDR	
Noise Reduction	2D/3D	
OSD Menu	Multi-language	
<b>Lens</b>		
Focal Length	2.8mm	3.6mm
Angle of View	H: 90°(115.6/59.4°)	
Mount Type	M12	
<b>General</b>		
Power Supply	DC12V±25%	
Power Consumption	Max 4.5W	
Working Environment	-30°C~+60°C / Less than 95%RH (no condensation)	
Transmission Distance	Over 500m via 75-3 coaxial cable	
Ingress Protection	IP67 & IK10	
Dimensions(W×D×H)	Φ109.9mm×81.0mm	
Weight	0.3kg	
Material	Metal	

**DHU13104 (HAC-HDBW2221E)**  
**DHU13105 (HAC-HDBW2221E-3.6MM)**

**Dimensions (mm)**



**Accessories (optional)**

		
PFB200W	PFA136	PFA152

\*Design and specifications are subject to change without notice.

© 2014 Dahua Technology Co., Ltd.



**seadan**  
security & electronics



VIC Unit 7, 170 Forster Road, Mt Waverley VIC 3149  
 NSW Unit 5, 142 James Ruse Drive, Parramatta NSW 2150  
 QLD 15-19 Hudson Road, Albion QLD 4010  
 WA Unit 4, 200 Balcatta Road, Balcatta WA 6021  
 ACT Unit 2, 157-161 Gladstone Street, Fyshwick ACT 2609

You're in very secure company

1300 366 851 | [seadan@seadan.com.au](mailto:seadan@seadan.com.au)

20160905