

DHU13106 (HAC-HDBW2221F)

2.1MP 1080P Vandal-proof WDR IR HDCVI Mini Dome Camera



Features

- 1/2.7" 2.1Megapixel CMOS
- 25/30fps@1080P, 25/30/50/60fps@720P
- High speed, long distance real-time transmission
- HD and SD dual-output, SD Tester out
- OSD Menu, control over coaxial cable; Build-in MIC
- WDR(120dB), AWB, AGC, BLC, 3DNR
- 2.8mm fixed lens
- Max. IR distance 20m, Smart IR
- IP67, IK10, DC12V

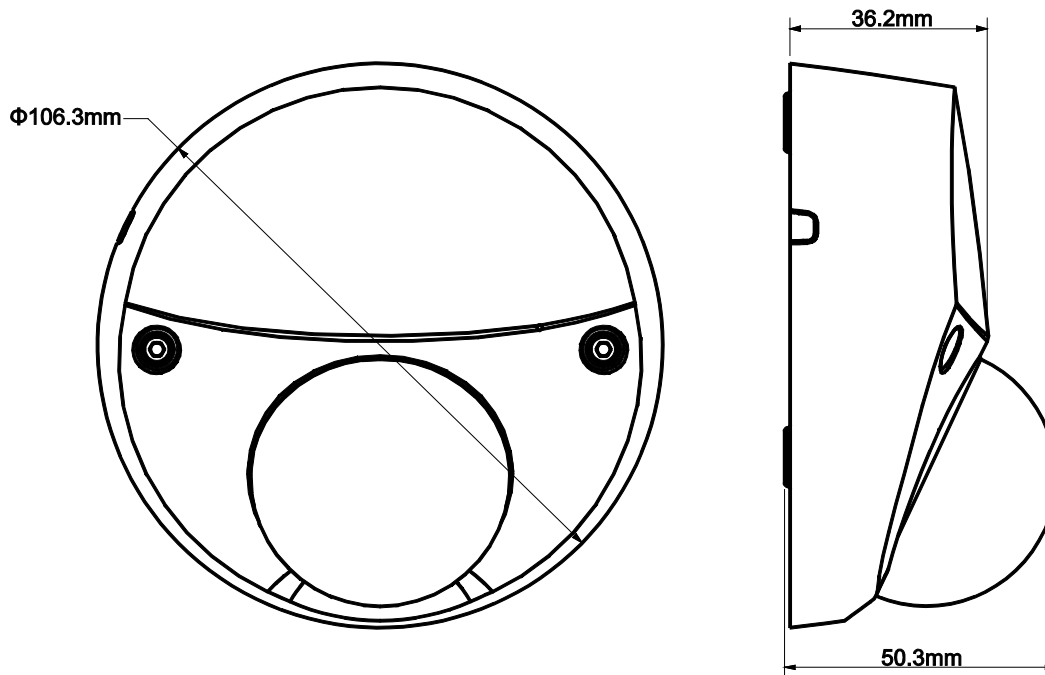
DHU13106 (HAC-HDBW2221F)

Technical Specifications

Model	DH-HAC-HDBW2221FP
Camera	
Image Sensor	1/2.7" 2.1Megapixel CMOS
Effective Pixels	1928(H)×1088(V)
Electronic Shutter	1/3s~1/300,000s
Video Frame Rate	25/30/50/60fps@720P; 25/30fps@1080P
Synchronization	Internal
Mini. Illumination	0.03Lux/F2.0, 0Lux IR on
Video Output	1-channel BNC HDCVI high definition video output & CVBS standard definition video output SD Tester out
Camera Features	
Max. IR Distance	20m, Smart IR
Day/Night	Auto(ICR) / Color / B/W
Backlight Compensation	120dB True WDR
Noise Reduction	2D/3D
OSD Menu	Multi-language
Lens	
Focal Length	2.8mm
Angle of View	H: 90°(115.6°/59.4°)
Mount Type	M12
General	
Power Supply	DC12V±25%
Power Consumption	Max 3.5W
Working Environment	-30°C~+60°C / Less than 95%RH (no condensation)
Transmission Distance	Over 500m via 75-3 coaxial cable
Ingress Protection	IP67 & IK10
Dimensions(W×D×H)	Φ106.3mm×50.3mm
Weight	0.3kg
Material	Metal
Others	Build-in MIC

DHU13106 (HAC-HDBW2221F)

Dimensions (mm)



Accessories (optional)

		
PFB204W	PFA139	PFA152

*Design and specifications are subject to change without notice.

© 2014 Dahua Technology Co., Ltd.