

DHU13135 (HAC-HFW2221R-Z-IRE6-DP)

2.1MP Water Resistant WDR HDCVI IR-Bullet Camera



Features

- 1/2.7" 2.1Megapixel CMOS
- 25/30fps@1080P, 25/30/50/60fps@720P
- High speed, long distance real-time transmission
- HD and SD dual-output
- OSD Menu, control over coaxial cable
- WDR(120dB), Day/Night(ICR), AWB, AGC, BLC, 3DNR
- 2.7~12mm motorized lens
- Max. IR distance 60m, Smart IR
- IP67, AC24V/DC12V

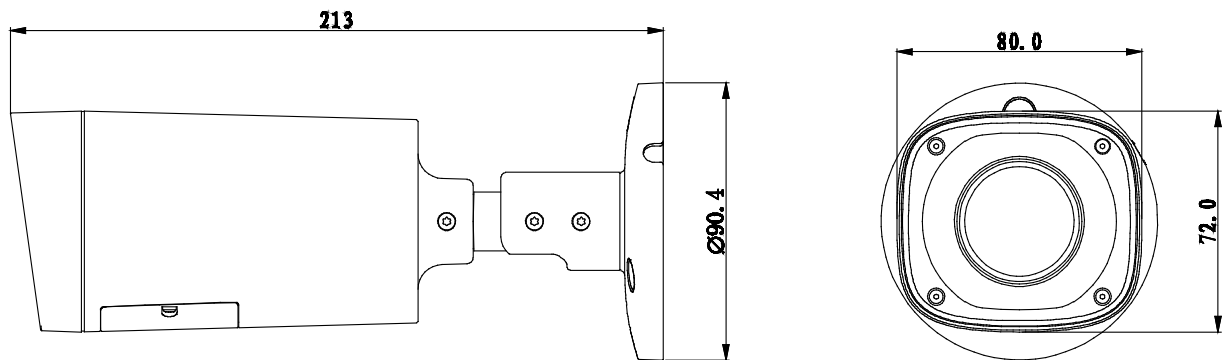
DHU13135 (HAC-HFW2221R-Z-IRE6-DP)

Technical Specifications

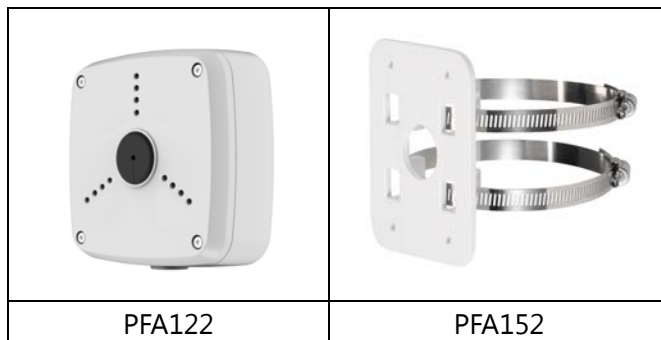
Model	DH-HAC-HFW2221RP-Z-IRE6-DP
Camera	
Image Sensor	1/2.7" 2.1Megapixel CMOS
Effective Pixels	1928(H)×1088(V)
Electronic Shutter	1.3s~1/30,000s
Video Frame Rate	25/30/50/60fps@720P; 25/30fps@1080P
Synchronization	Internal
Mini. Illumination	0.03Lux/F1.4, 0Lux IR on
Video Output	1-channel BNC HDCVI high definition video output & CVBS standard definition video output
Camera Features	
Max. IR LEDs Length	60m, Smart IR
Day/Night	Auto(ICR) / Color / B/W
Backlight Compensation	120dB True WDR
Noise Reduction	2D/3D
OSD Menu	Multi-language
Lens	
Focal Length	2.7~12mm
Angle of View	H: 99°~37°
Lens Type	Motorized / Fixed Iris
Mount Type	Φ14
General	
Power Supply	AC24V±25%/DC12V±25%
Power Consumption	Max 15.2W
Working Environment	-30°C~+60°C / Less than 95%RH (no condensation)
Transmission Distance	Over 500m via 75-3 coaxial cable
Ingress Protection	IP67
Dimensions(W×D×H)	213mm×80mm×72mm
Weight	0.59kg
Material	Metal

DHU13135 (HAC-HFW2221R-Z-IRE6-DP)

Dimensions (mm)



Accessories (optional)



*Design and specifications are subject to change without notice.

© 2014 Dahua Technology Co., Ltd.