

PRODUCT VE1260

HIGH SECURITY MOTORISED DROP BOLT WITH PRE-LOAD CAPABILITY EcoLock™



VE1260



PRODUCT DESCRIPTION

The patented EcoLock VE1260 is a high torque motor driven Drop Bolt with up to 35kg pre-load/ side load tolerance. It can be installed vertically in the door frame (lock style) or horizontally in the frame header and has a symmetric dead-bolt mechanism to allow to be used on 180° degree swing through doors.

The VE1260 is considered a "Green Product" as it consumes an inrush current of 290mA@12VDC **only** during locking and unlocking action (Active Mode), then in the locked or unlocked state (Sleep-Mode), the Drop Bolt consumes current less than 15mA@12VDC.

A series of additional Strike Plates allow for door misalignment of up to ± 12 mm and a retrofit version of the FSH Eco Lock is available to suit the PADDE/ TRIMEC ES8000 drop bolt footprint.

An optional LED red/green indicator unit is available.

TECHNICAL DETAILS

| | |
|-------------------|--|
| PART NO. | VE1260 |
| FUNCTION | Mortise Mount, power-to-lock/power-to-release field interchangeable, up to 35kg of Pre-Load capability, unlocking and up to 6.5kg locking |
| HOLDING STRENGTH | Up to 1000kg |
| VOLTAGE/CURRENT | Multi Voltage 12-30VDC Active Mode: Locking/Unlocking cycle current is 0.29A to 0.85A depending on the side load. More side load = more current. See preload vs. current graph. Sleep-Mode: After locking/unlocking the current drops down to ~0.015A (15mA) |
| APPROVALS | CE C-Tick Fire rated in accordance with AS1905.1.2005 Part 1 to up to 4 hours on fire door assemblies |
| MONITORING | Lock Status Sensor of the internal locking mechanism Door Status Sensor Built-in Reed Switch, monitoring the door position |
| ENVIRONMENTAL | Operational Temperature Range -20° to +60°C |
| DURABILITY | Exceeding Australian Standard AS4145.2-2008 400,000 operating cycles • Durability D7 |
| STRENGTH | Meeting Australian Standard AS4145.2-2008 • Static Strength S8 • Impact Strength S8 |
| MAXIMUM DOOR GAP | 8mm |
| DOOR MISALIGNMENT | Standard Strike Plate ± 4 mm Special Strike Plate up to ± 12 mm |

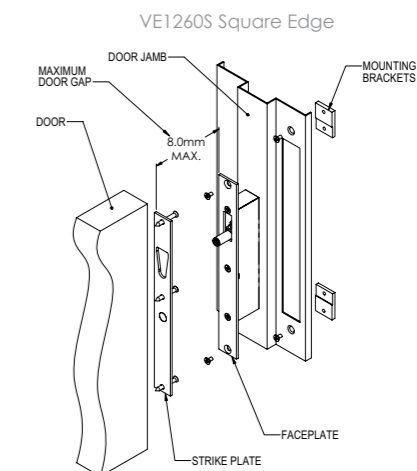
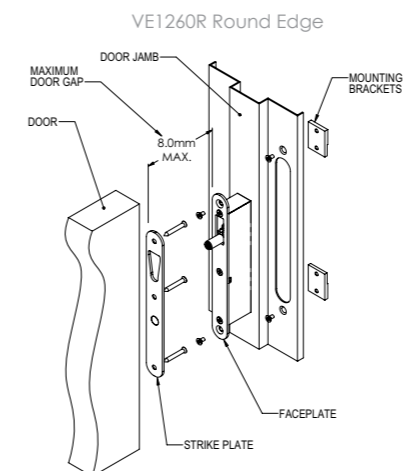
PRODUCT FEATURES

- Releases with up to 35kg of Pre-Load/Side Load
- Motorised locking device
- Durability tested to 400,000 cycles
- Multi voltage from 12 to 30VDC
- Sleep-Mode Current less than 15mA@12VDC
- Fully monitored including Reed Switch for door position
- Up to 1000kg Holding Strength
- 5 year warranty
- Retrofit version for Trimec/PADDE ES8000 (VE1260S Square Edge Version)

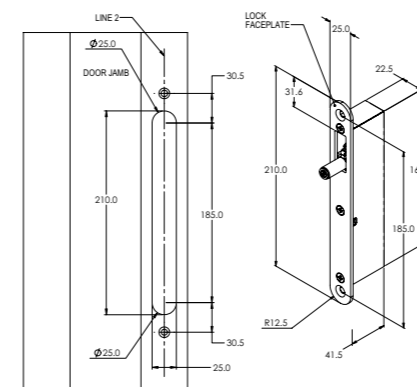
NEW GENERATION ELECTRIC AND ELECTRONIC LOCKING



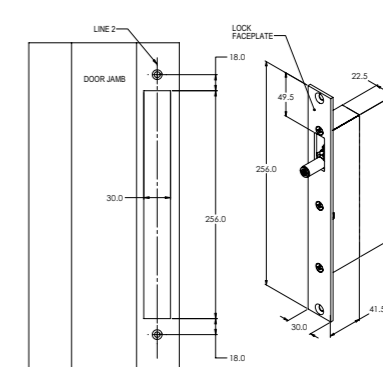
PRODUCT DIMENSIONS AND INSTALLATION



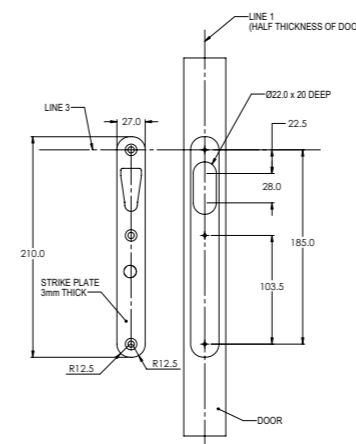
Locking Device VE1260R Round Edge



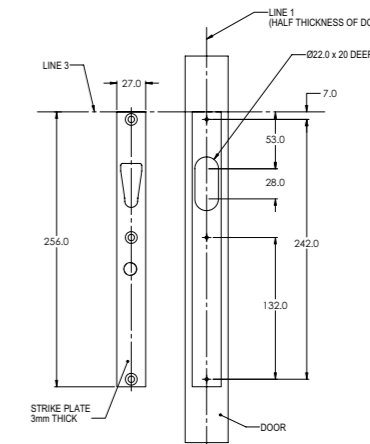
Locking Device VE1260S Square Edge



Strike Plate VE1260R Round Edge

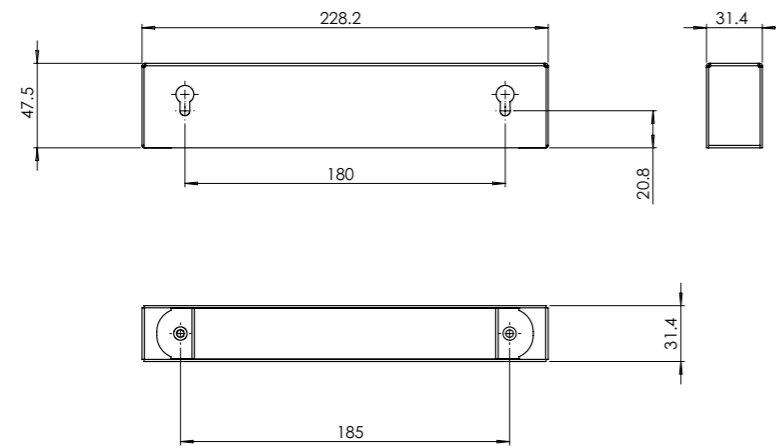


Strike Plate VE1260S Square Edge

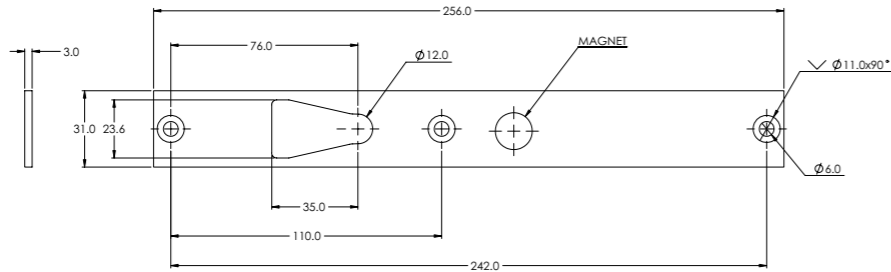


PRODUCT DIMENSIONS AND INSTALLATION

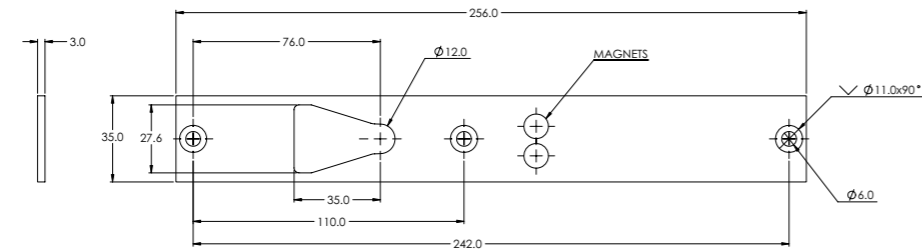
Glass Door Box **VE1260R-GL**



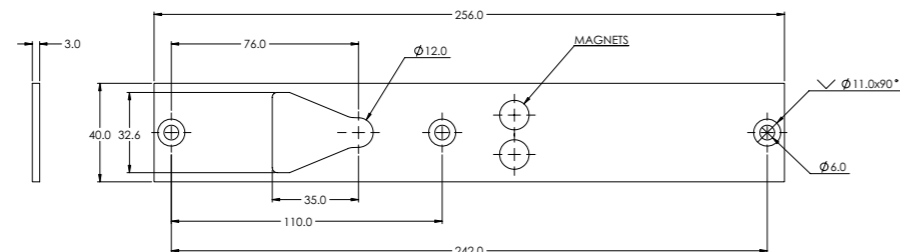
Accessory Strike Plate **VE1260S-ST6**



Accessory Strike Plate **VE1260S-ST9**



Accessory Strike Plate **VE1260S-ST12**



ORDER DETAILS

| PART NO. | PRODUCT DESCRIPTION |
|----------------------------------|---|
| ECOLOCK VE1260 SERIES | |
| VE1260R | EcoLock Pre-Load Drop Bolt 25mm Face Plate including 27mm Strike Plate ROUND EDGE to cater for +4mm door misalignment |
| VE1260S | EcoLock Pre-Load Drop Bolt 30mm Face Plate including 27mm Strike Plate SQUARE EDGE to cater for +4mm door misalignment (PADDE ES8000 Replacement) |
| ACCESSORIES VE1260 SERIES | |
| VE1260R-GL | Glass Door Box for VE1260R Lock or VE1260R-ST4 Strike Plate ROUND EDGE |
| VE1260LED-BOX | LED Monitor Box for Lock-Status Monitoring Indication (Red/Green) |
| VE1260R-SCEC | Security Bracket for VE1260R |
| VE1260S-ST6 | Strike Plate 31mm for VE1260 Series to cater for ±6mm door misalignment minimum Door Thickness 35mm SQUARE EDGE |
| VE1260S-ST9 | Strike Plate 35mm for VE1260 Series to cater for +9mm door misalignment minimum Door Thickness 40mm SQUARE EDGE |
| VE1260S-ST12 | Strike Plate 40mm for VE1260 Series to cater for +12mm door misalignment minimum Door Thickness 50mm SQUARE EDGE |

CURRENT VS. PRELOAD GRAPH

