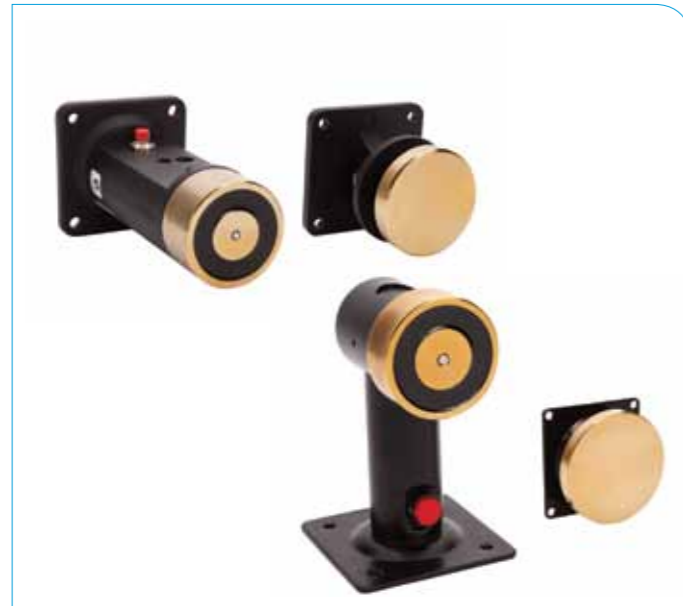


FEM2870 (R40PCH12) / FEM2875 (R40PCH24) /
FEM3030 (R60PCV12) / FEM3035 (R60PCV24)

STANDARD MAGNETIC DOOR HOLDER FIRE RATED WITH EXTENSION



R40 & R60

PRODUCT DESCRIPTION

Fire and smoke door magnetic holder, titanium alloy surface finished, elegant appearance. Installed on fire and smoke doors in projects where doors are required to be held in the open position for both pedestrian and general traffic, the devices have to be linked into a buildings fire/smoke alarm system.

When an alarm occurs, power is removed from the devices and the doors are returned to the closed condition, preventing the spread of fire and/or smoke to other areas. The devices are fire tested to a rating of 4 hours and are supplied either 12 or 24VDC.

TECHNICAL DETAILS

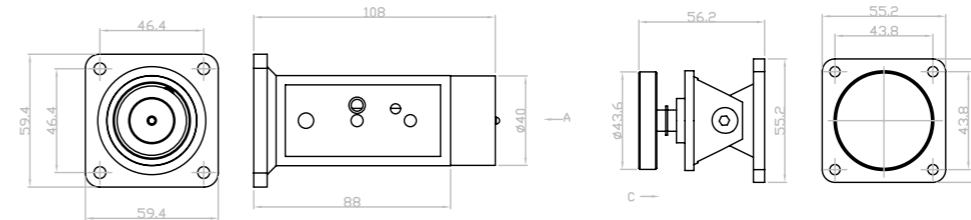
PART NO.	R40PCH12(12Volt)	R40PCH24(24Volt)	R60PCV12(12Volt)	R60PCV24(24Volt)
FUNCTION	Wall mount extension type electro magnetic door holder for fire and smoke doors		Floor mount electro magnetic door holder for fire and smoke doors	
HOLDING STRENGTH	Up to 25kg		Up to 60kg	
VOLTAGE/CURRENT	12VDC/160mA 24VDC/80mA		12VDC/180mA 24VDC/90mA	
SIZE	H= 59 x W= 59 x D= 108mm		L= 60 x W= 108 x H= 60mm	

PRODUCT FEATURES

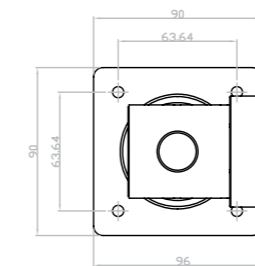
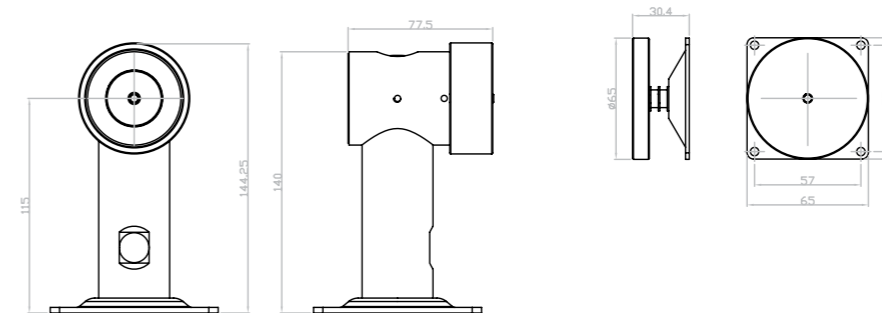
- Fire rated
- R40 up to 25kg holding force
- R60 up to 60kg holding force
- 12 and 24VDC options
- Floor mount and wall mount options
- 2 year warranty

PRODUCT DIMENSIONS AND INSTALLATION

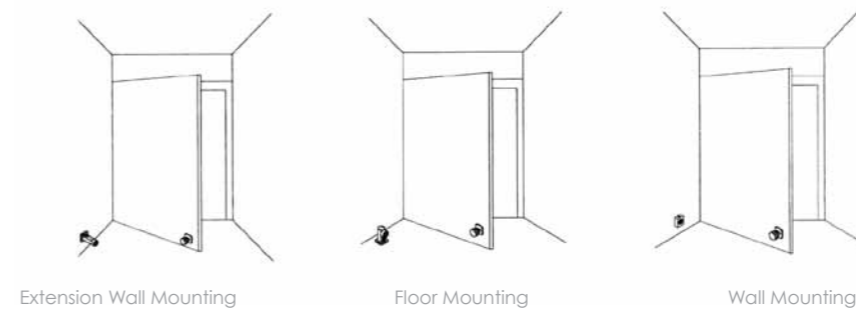
WALL MOUNT R40PCH-12/24



FLOOR MOUNT R60PCV-12/24



TYPE OF INSTALLATION



seadan
security & electronics



VIC Unit 7, 170 Forster Road, Mt Waverley VIC 3149
NSW Unit 5, 142 James Ruse Drive, Parramatta NSW 2150
QLD 15-19 Hudson Road, Albion QLD 4010
WA Unit 4, 200 Balcatta Road, Balcatta WA 6021
ACT Unit 2, 157-161 Gladstone Street, Fyshwick ACT 2609

You're in very secure company 1300 366 851 | seadan@seadan.com.au